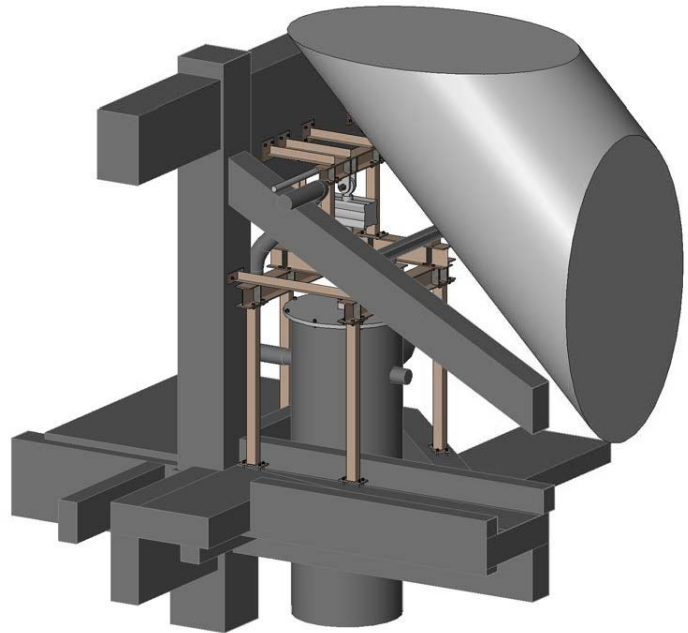




Blow Gas Condenser Lifting Frame

Halsey, OR

Industrial shutdown projects always come with time constraints, and generally come with space constraints as well. This project came with both. The industrial contractor needed to detach and remove the existing blow gas condenser and install a new one in a very short time frame. Space was very tight, as the existing condenser had been installed from above during the original construction of the building - this was obviously no longer an option. Our office measured and modelled existing conditions and designed a support frame to fit in this very tight space, while avoiding all adjacent pipes, equipment and structure. This allowed the contractor to install the frame prior to the shutdown freeing up schedule during the shutdown.



Pillar's Responsibilities:

- ***Design of solution for lowering existing and raising new blow gas condenser***
- ***Analysis of new frame to support lifted load***
- ***Analysis of existing structure to support new frame***

Client: ***Advanced Mechanical, Inc.***
(Industrial Contractor)

STRUCTURAL | FACILITIES

for more information contact John Evans, P.E.. at 541-752-9202



www.pillar-inc.com