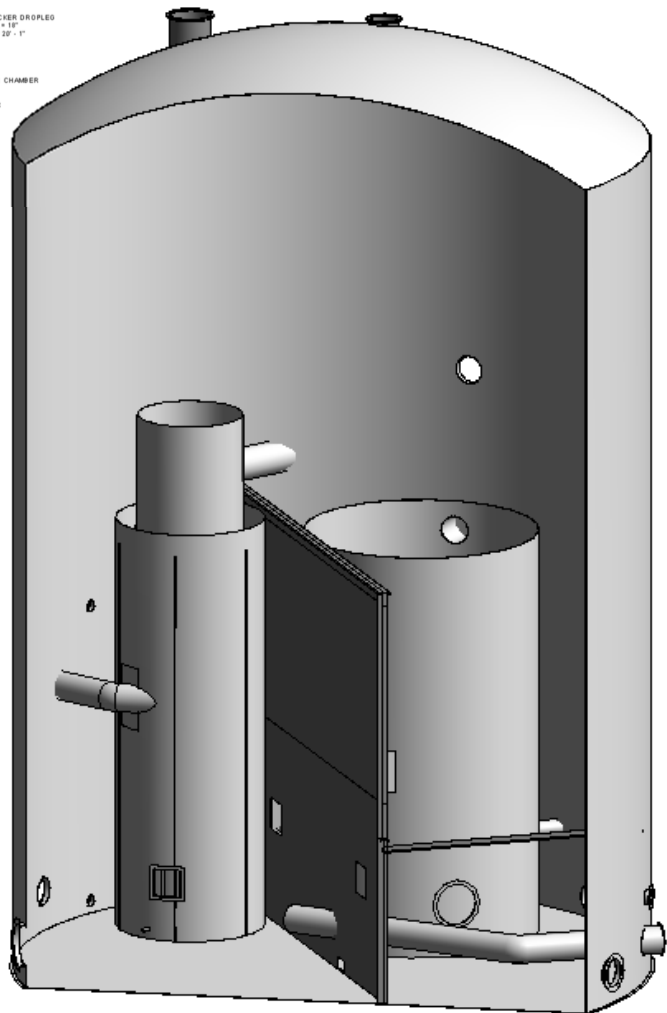
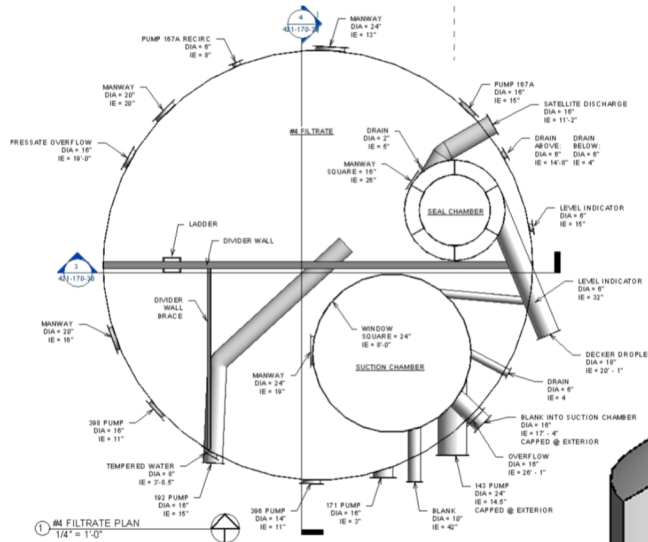


Tank Internals As-Built Drawings

Oregon



This industrial client had a tank that was important to their process, but did not have record drawings of the tank.

Pillar Consulting Group was hired to obtain as-built information about the tank during a planned shut-down, so plant engineers could make plans for modifications to the tank during future shutdowns.

Pillar Consulting Group retrieved information about the interior and exterior of the tank and presented the client with a 3-Dimensional model of the shell, its ports and all interior conditions.

BUILDING INFORMATION MODELING

for more information contact John Evans at 541-752-9202 ext. 114



**PILLAR
CONSULTING
GROUP, INC.**

www.pillar-inc.com